

LED Down Light

5W/8W/9W/10W



Featur

CRI > 80; PF > 0.9
Color option: 3000K/4000K/5000K
Life Span: 30000hrs
3 Years warranty



CCT Changeable
3000k/4000k/5000k



Technical Specifications

Material	Plastic and aluminum
Housing Color	White/Silver
CCT	3000K/4000K/5000K
Input Voltage	AC200-240V
PF	0.89-0.92
Light source	SMD 2835
IP rate	IP 40
Life span	30,000H



AU 2pin plug



Dimmable*



36,000H



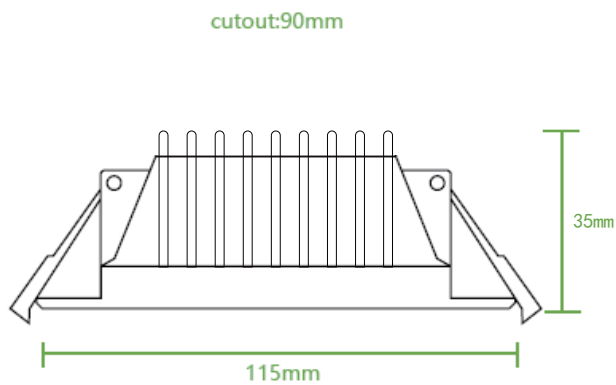
IC-4
ABUTTED
COVERED

Application

Application Suitable for indoor lighting in hotels, homes, cafes, shopping malls, offices, factories, hospitals, etc



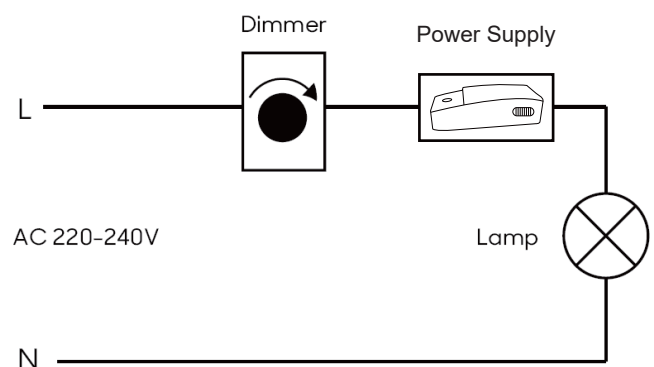
Dimension (Unit: mm)



Installation Schematic Diagram: Dimmer Lamp

Note:

- 1、Don't take LED lamp apart
- 2、Only indoor used
- 3、The LED lamp must work under the right voltage according to the specification
- 4、Application in enclosed fixtures may speeds up lumen depreclation and shorten lamp life
- 5、Lamo not suitable for use under dust and moisture



Technical Parameter

Item	Wattage	Lumen Efficiency	Voltage	CRI	Beam Angle	CCT	Lumens	Dimension	Cut-Out
ULDL-5W-D	5W	110lm/W	AC220-240V	> 80	90°	3000K/4000K/5000K	550lm	Dia115*35mm	φ90mm
ULDL-8W-D	8W	110lm/W	AC220-240V	> 80	90°	3000K/4000K/5000K	880lm	Dia115*35mm	φ90mm
ULDL-9W-D	9W	110lm/W	AC220-240V	> 80	90°	3000K/4000K/5000K	990lm	Dia115*35mm	φ90mm
ULDL-10W-D	10W	110lm/W	AC220-240V	> 80	90°	3000K/4000K/5000K	1100lm	Dia115*35mm	φ90mm
ULDL-5W-D-CCT	5W	110lm/W	AC220-240V	> 80	90°	3000K/4000K/5000K	550lm	Dia115*35mm	φ90mm
ULDL-8W-D-CCT	8W	110lm/W	AC220-240V	> 80	90°	3000K/4000K/5000K	880lm	Dia115*35mm	φ90mm
ULDL-9W-D-CCT	9W	110lm/W	AC220-240V	> 80	90°	3000K/4000K/5000K	990lm	Dia115*35mm	φ90mm
ULDL-10W-D-CCT	10W	110lm/W	AC220-240V	> 80	90°	3000K/4000K/5000K	1100lm	Dia115*35mm	φ90mm

Installation steps:

1 . Open the hole on the ceiling according to the lamps cut-out requirement , as Figure 1 shown

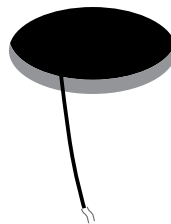


Figure 1

2 . Connect the LED drivers input end to AC220V , as Figure 2 shown

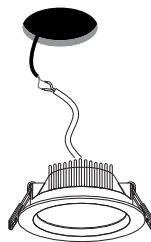


Figure 2

3 . Make sure keep the connection of the LED lamp and the LED driver , then pull the lamp spring up and push the lamp into the installation hole , as Figure 3 shown

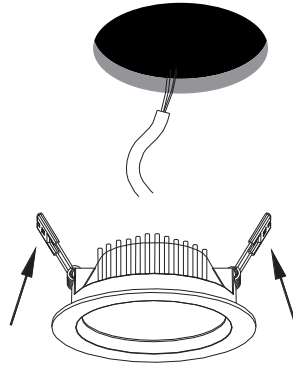


Figure 3

4 . Turn on the power switch to enjoy the LED lighting , as Figure 4 shown

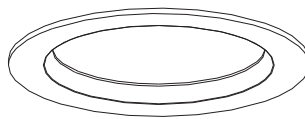


Figure 4