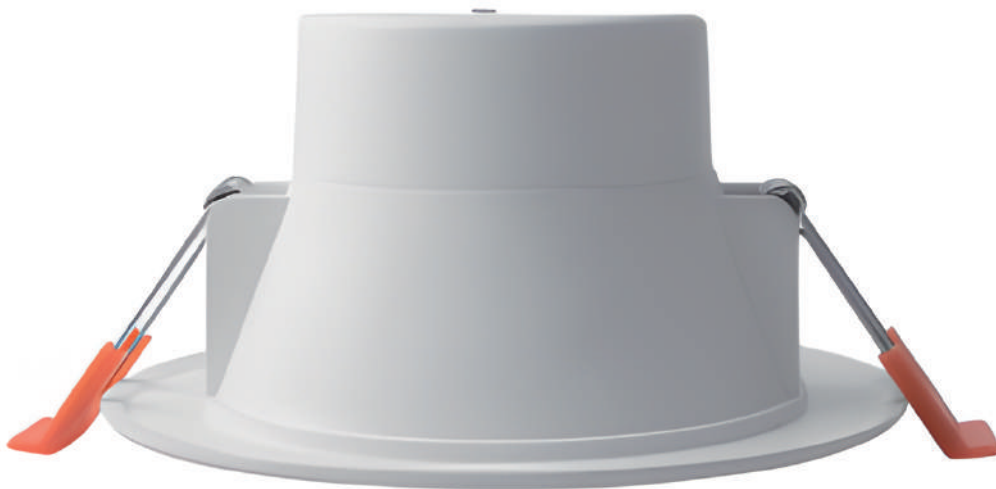


# LED Down Light

4W/5W/9W



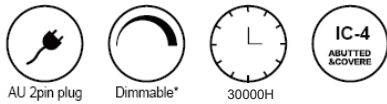
## Feature

- CRI > 80; PF > 0.9
- Color option: 3000K / 4000K / 5000K
- Life Span: 30000hrs
- 3 Years warranty



# Technical Specifications

Material	Plastic and aluminum
Housing Color	White/Silver
CCT	3000K/4000K/5000K
Input Voltage	AC200-240V
PF	0.89-0.92
Light source	SMD 2835
IP rate	IP 40
Life span	30000H

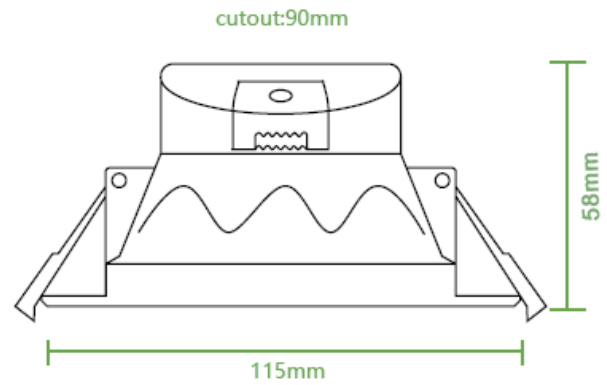
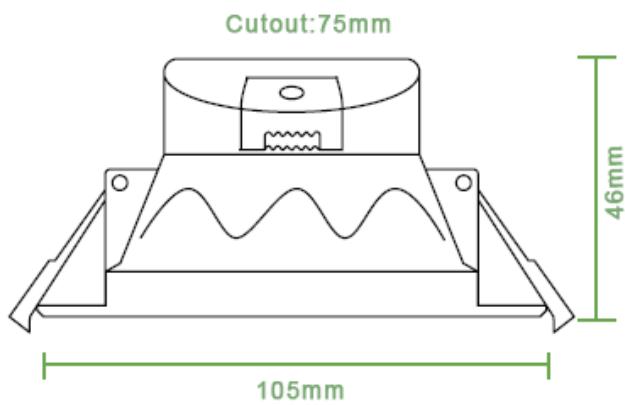


## Application

Application Suitable for indoor lighting in hotels, homes, cafes, shopping malls, offices, factories.



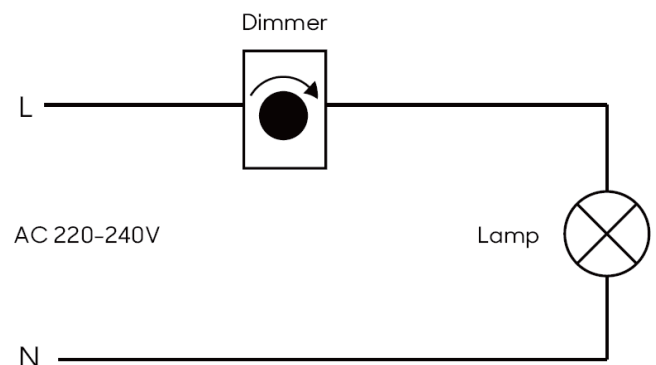
# Dimension(Unit:mm)



## Installation Schematic Diagram: Dimmer Lamp

### Note:

1. Don't take LED lamp apart
2. Only indoor used
3. The LED lamp must work under the right voltage according to the specification
4. Application in enclosed fixtures may speeds up lumen depreclation and shorten lamp life
5. Lamo not suitable for use under dust and moisture



## Technical Parameter

Item	Wattage	Lumen Efficiency	Voltage	Dimmable	CRI	Beam Angle	CCT	Lumens	Dimension	Cut-out
ECO-DL-4W-CCT	4W	122 lm/W	AC220-240V	Yes	> 80	100°	3000K/4000K /5000K	490lm	Dia105*46mm	φ75/90mm
ECO-DL-5W-CCT	5W	110lm/W						550lm		
ECO-DL-9W-CCT	9W	110lm/W				990lm		90°	φ90mm	

## Installation steps:

1 . Open the hole on the ceiling according to the lamps cut-out requirement , as Figure 1 shown

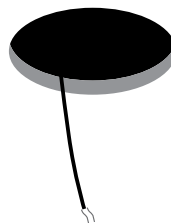


Figure 1

2 . Connect the LED drivers input end to AC220V , as Figure 2 shown

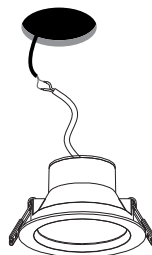


Figure 2

3 . Make sure keep the connection of the LED lamp and the LED driver , then pull the lamp spring up and push the lamp into the installation hole , as Figure 3 shown

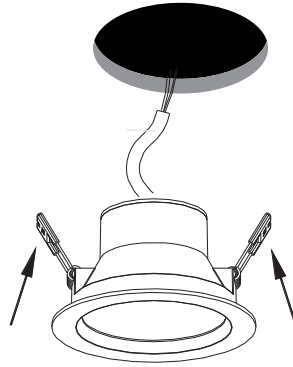


Figure 3

4 . Turn on the power switch to enjoy the LED lighting , as Figure 4 shown

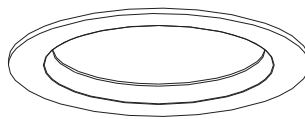


Figure 4